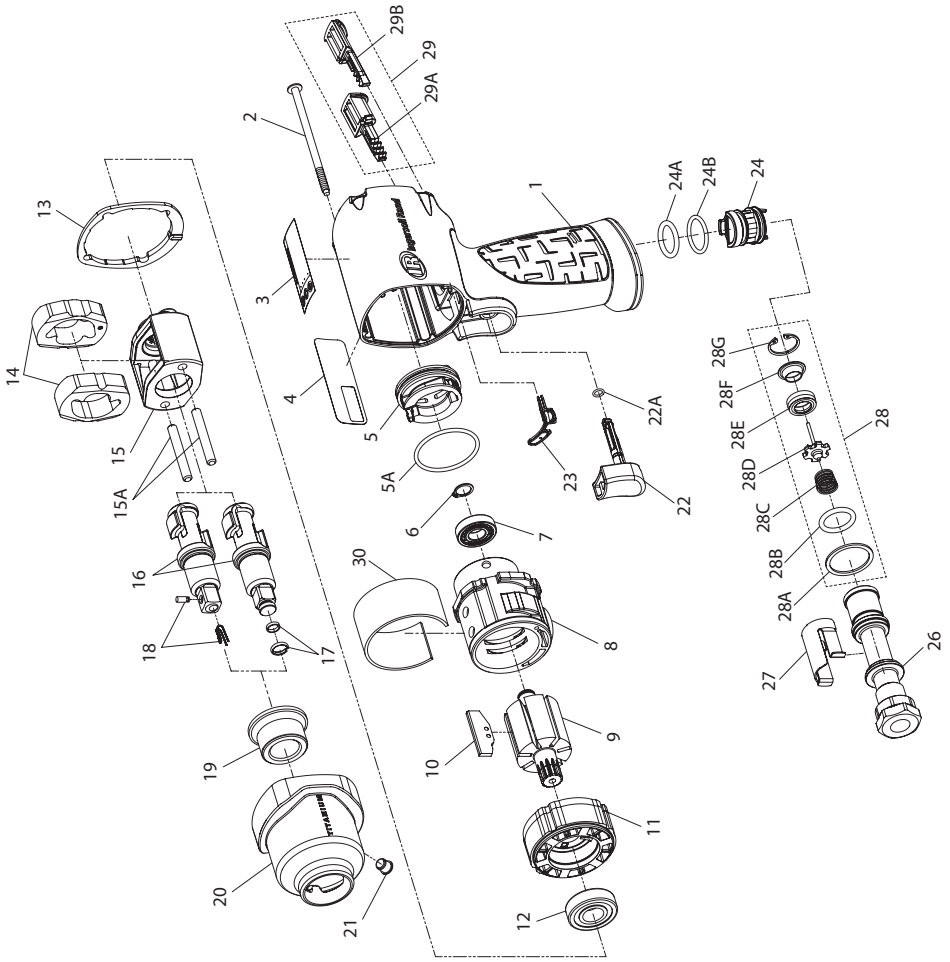


# 2115TiMAX and 2125TiMAX Series, Air Impact Wrench - Exploded View



(Dwg. 45588175)

## 2115TiMAX and 2125TiMAX Series, Air Impact Wrench - Parts List

Item	Part Description	Part Number	Item	Part Description	Part Number
*	Housing Assembly		† 18	Socket Retainer Kit	
	for model 2115TiMAX	2115TiMAX-A40		for models 2115PTiMAX and 2115QTiMAX-A (3/8" Pin-type)	2115PTi-K425
	for model 2115TiMAX-A	2115TiMAX-A-A40		for models 2125PTiMAX and 2125QTiMAX-A (1/2" Pin-type)	2125PTi-K425
	for model 2115QTiMAX	2115QTiMAX-A40		Retainer Spring	---
	for model 2115QTiMAX-A	2115QTiMAX-A-A40		Socket Retainer Pin	---
	for model 2125QTiMAX	2125QTiMAX-A40	19	Bushing, Hammer Case	2112-641
	for model 2125QTiMAX-A	2125QTiMAX-A-A40	*	Hammer Case Assembly	2115TiMAX-D727
	for model 2115PTiMAX	2115PTiMAX-A40	19	Bushing, Hammer Case	---
	for model 2115PTiMAX-A	2115PTiMAX-A-A40	20	Hammer Case	---
	for model 2125PTiMAX	2125PTiMAX-A40	21	Grease Fitting	---
1	Housing	---	21	Grease Fitting	1305R-188
3	Warning Label	---	† *	Trigger Assembly	2135-D93B
4	Information Label	---	22	Trigger	---
23	Gasket, Motor	---	22A	O-Ring, Trigger	---
*	Reverse Valve Assembly	---	† 23	Gasket, Motor	2112-283
29	Button Kit	---	*	Reverse Valve Assembly	2131-A329
2	Screw, Hammer Case (4)	2115-638	24	Reverse Valve	---
3	Warning Label	WARNING-2-99	24A	O-Ring, Reverse Valve (Top-Black)	---
4	Information Label		24B	O-Ring, Reverse Valve (Bottom-Blue)	---
	for model 2115TiMAX	2115TiMAX-300	*	Inlet Bushing Assembly	2135-D565A
	for model 2115TiMAX-A	2115TiMAX-A-300	26	Inlet Bushing	---
	for model 2115QTiMAX	2115QTiMAX-300	27	Inlet Clip	2131-57
	for model 2115QTiMAX-A	2115QTiMAX-A-300	28	Inlet Parts Kit	2135-K303
	for model 2125QTiMAX	2125QTiMAX-300	28A	Washer	---
	for model 2125QTiMAX-A	2125QTiMAX-A-300	28B	O-Ring, Seal	---
	for model 2115PTiMAX	2115PTiMAX-300	28C	Throttle Spring	---
	for model 2115PTiMAX-A	2115PTiMAX-A-300	28D	Throttle Valve	---
	for model 2125PTiMAX	2125PTiMAX-300	28E	Valve Seat	---
for model 2125PTiMAX-A	2125PTiMAX-A-300	28F	Seat Support	---	
*	Power Regulator Assembly	2115-D249A	28G	Retainer	---
5	Power Regulator	---	29	Button Kit	2115-K75RD
5A	O-Ring, Power Regulator	---	29A	Forward Button	---
6	Retaining Ring	4E-6	29B	Reverse Button	---
7	Ball Bearing (Cylinder)	RO0H-97	30	Silencer (for models 2115QTiMAX, 2115QTiMAX-A, 2125QTiMAX, 2125QTiMAX-A, 2115PTiMAX, 2115PTiMAX-A, 2125PTiMAX and 2125PTiMAX-A)	2115Q-311
8	Cylinder	2112-3	*	Tune-Up Kit	2115-TK2
9	Rotor	2115-53	5A	O-Ring, Power Regulator	---
† 10	Vane Pack (set of 7)	2115-42A-7	6	Retaining Ring	---
11	End Plate	2112-11	7	Ball Bearing (Cylinder)	---
12	Ball Bearing (End Plate)	2131-97	10	Vane Pack (set of 7)	---
† 13	Hammer Case Gasket	2115-36	12	Ball Bearing (End Plate)	---
*	Hammer Mechanism Kit	2115-THK2	13	Hammer Case Gasket	---
14	Hammer (2)	---	22A	O-Ring, Trigger	---
15	Hammer Frame	---	23	Gasket, Motor	---
15A	Hammer Pin (2)	---	24A	O-Ring, Reverse Valve (Top-Black)	---
*	Anvil Assembly		24B	O-Ring, Reverse Valve (Bottom-Blue)	---
	for models 2115TiMAX, 2115QTiMAX, 2115TiMAX-A and 2115QTiMAX-A	2112-A626	28	Inlet Parts Kit	---
	for model 2125QTiMAX and 2125QTiMAX-A	2112-A726	*	Kit, Piped-Away Exhaust	2115-K284
	for model 2115PTiMAX and 2115PTiMAX-A	2112P-A626	*	Inlet Clip Removal Tool	2131-322
	for model 2125PTiMAX and 2125PTiMAX-A	2112P-A726	† *	Air Care Kit (grease gun, grease, oil)	115-LBK1
16	Anvil	---	*	Grease (replacement tube for -LBK1)	115-4T
	Socket Retainer Kit	---	*	Air Tool Oil (4 oz. bottle)	1024
† 17	Socket Retainer Kit		*	Grease (1 lb can)	105-1LB
	for models 2115TiMAX, 2115QTiMAX, 2115TiMAX-A and 2115QTiMAX-A (3/8" Ring-type)	2115-K425	*	Grease (8 lb can)	105-8LB
	for models 2125QTiMAX and 2125QTiMAX-A (1/2" Ring-type)	2125QTi-K425	*	Grease Gun	R000A2-228
	O-Ring	---			
	Socket Retainer	---			

\* Indicates not illustrated.

† Indicates common-wear parts. Maintain stock to reduce downtime.

## Parts and Maintenance

When tool life has expired, it is recommended that the tool be disassembled, degreased and parts separated by material for proper recycling.

Tool repair and maintenance should only be carried out by an authorized Service Center.

Refer all communications to the nearest **Ingersoll Rand** office or distributor.

## Related Documentation

Manuals can be downloaded from [ingersollrand.com](http://ingersollrand.com)

For additional information, refer to:

Product Safety Information Manual 04580916.

Product Information Manual 45585155.

Declaration of Conformity 47624108001.

